

# Introducing...

## Two New Mercotac® Models in the Rotating Electrical Connector line — Up to 500 Volts and 30 Amps per Channel

**Model 235**  
Two Conductors



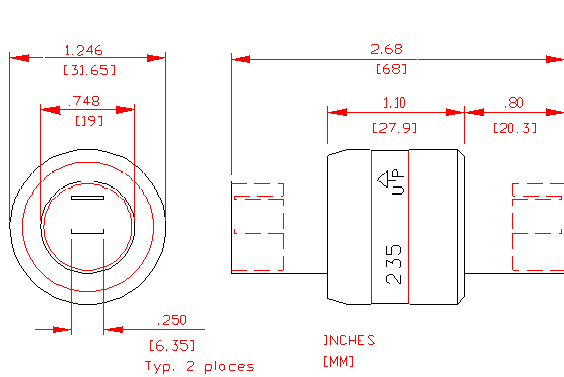
**Model 335**  
Three Conductors



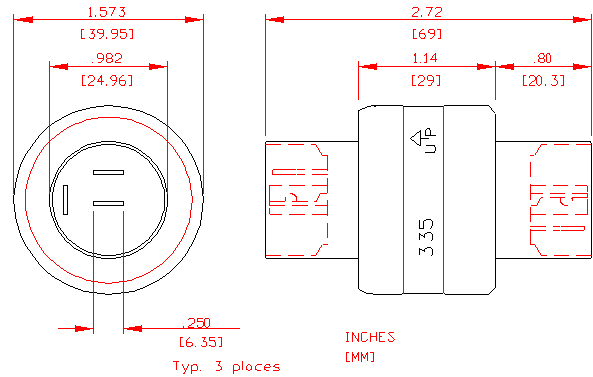
### Specifications Chart

Model Number *	No. of Conductors	Voltage Range AC/DC	Current Rating @ 500VAC	Max. Freq. (MHz)	Contact Resistance (milliohms)	Maximum RPM	Operating Temp. F(C)Max/ F(C) Min	Typical Rotational Torque (gm-cm)	Circuit Separation (M-ohms)
235	2	0 - 500	30 Amps	100	< 1	1200	140(60)/ -20(-29)	400	> 50
335	3	0 - 500	30 Amps	100	< 1	500	140(60)/ -20(-29)	700	> 50

\* Both models available with optional Stainless Steel ball bearing; add “-SS” suffix to Model number



(4) 16-14 AWG Quick Disconnect Terminals included  
Optional Accessory Boot Kit #57235 available



(6) 16-14 AWG Quick Disconnect Terminals included  
Optional Accessory Boot Kit #57335 available



**Model 235 with Boot Kit**



**Model 335 with Boot Kit**

Mercotac, Inc. 6195 Corte del Cedro #100, Carlsbad, CA 92011 USA  
Tel: (760) 431-7723 Fax: (760) 431-0905 Email: info@mercotac.com